

Frequently Asked Questions on Yealink DECT Repeater RT30

What is RT30?

RT30 is the latest Yealink DECT repeater. RT30 and previous RT10/RT20/RT20U are the equivalent series repeater products. It can be registered to a base station to extend the available radio range.

What are the advantages of RT30 when compared with RT20?

1. RT30 supports cascade setup.
2. RT30 supports transmitting calls in wideband mode.
3. The LED indicators of RT30 are clear. However, it is hard to distinguish RT20 repeater statuses in good light.
4. Up to six RT30 repeaters can be registered to one base station. However, you can only register up to five RT20 repeaters to one base station.
5. RT30 offers a more elegant appearance.

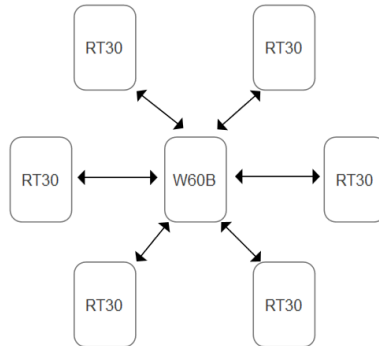
What is cascade setup?

One repeater is registered to the other repeater (destination repeater), and the destination repeater is registered to the base station.



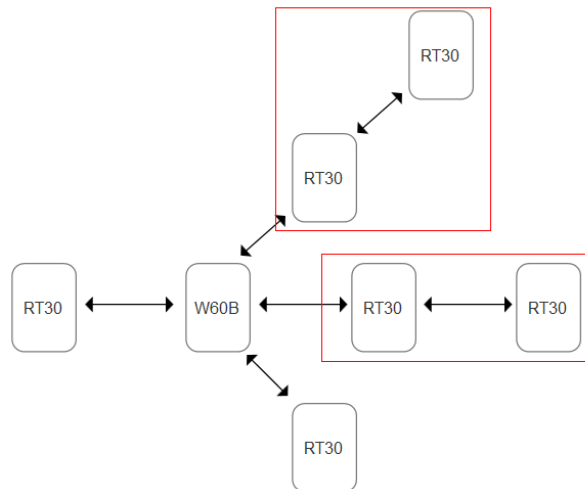
What is star setup?

All repeaters are registered to one base station.



How many repeaters can be registered to one base station?

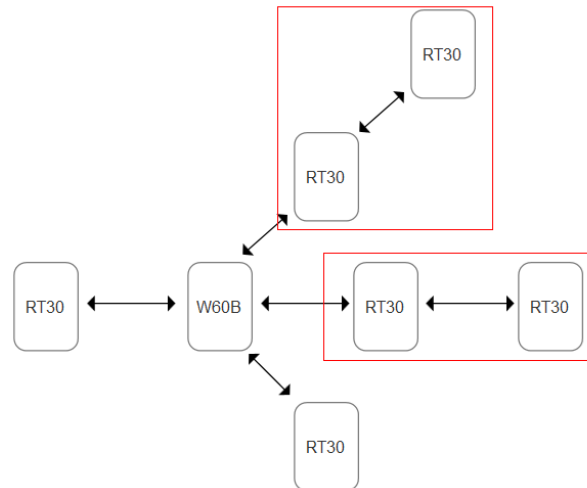
Both in cascade setup and in star setup, you can only register up to six repeaters to one base station.



As shown above, the total number of the four repeaters in cascade setup and two repeaters in star setup is six.

How many calls within a repeater coverage area?

A maximum of two calls can be handled at one time within a repeater coverage area. So that you cannot initiate a new call if there are already two calls within a repeater coverage area. Note each cascade (as shown in the red boxes) is considered as one repeater.



Which base stations are compatible with RT30?

RT30 is compatible with W60B base station, but not compatible with the base station for W52P.

Can RT30 and RT20 be used together?

No.